



# CEELOK FAS-X CONNECTORS

THE HIGH SPEED SOLUTION FOR 10 GB/S DATA DELIVERY  
USING RUGGED, MIL-SPEC COMPONENTS

# CEELOK FAS-X CONNECTORS

The high-performance, rugged solution for high-speed

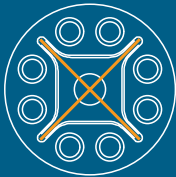


## HIGH-SPEED CONNECTIVITY

- Supports 10G Ethernet and other high-speed protocols
- Size 11 shells support one 10G Ethernet channel
- Size 25 shells support four 10GbE channels

## DESIGN OPTIMIZED FOR SIGNAL INTEGRITY

- Patented shielding arrangement shields each pair through the connector to provide improved impedance matching and to eliminate crosstalk



## CONVENIENT

- Uses standard crimp AS39029 contacts
- Allows fast field termination and repair, requiring only standard contact insertion/removal and crimping tools
- Available with aluminum or composite shells with a variety of finishes

## FLEXIBLE

- Range of inserts for Size 25 shell to accommodate other connectivity needs

## APPLICATIONS

- Supports major protocols:
  - Gigabit Ethernet and 10G Ethernet networks
  - IEEE 1394b I/O
  - Fibre Channel networks
  - Modular D38999

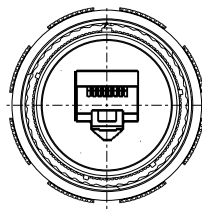
## CONFIGURATIONS

- Single-Channel D38999 Style, Size 11
- Quad-Channel D38999 Style, Size 25
- Single-Channel Lanyard MIL-DTL-81703 Style
- Single-Channel Commercial D38999 Style

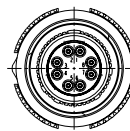
## High-Performance Alternative to RJ45s

CeeLok FAS-X connectors with industry proven AS39029 contacts were designed for rugged environments and provide reliable, consistent high-speed performance.

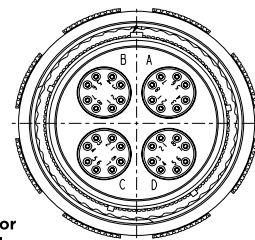
RJ45 in D38999 connectors are much larger than the CeeLok FAS-X connector (shell size 19 versus shell size 11). Additionally, the insulation displacement crimp technology may be unsuitable for use in certain harsh environments for which the M39029 crimp contacts used in the CeeLok FAS-X connector were intentionally designed.



**RJ45**  
**One Ethernet Channel**  
Size 19 Shell  
1.51" Dia.



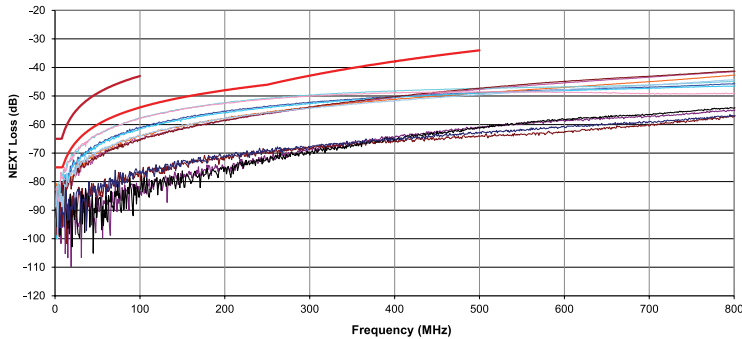
**CeeLok FAS-X Connector**  
**One Ethernet Channel**  
Size 11 Shell  
0.98" Dia.



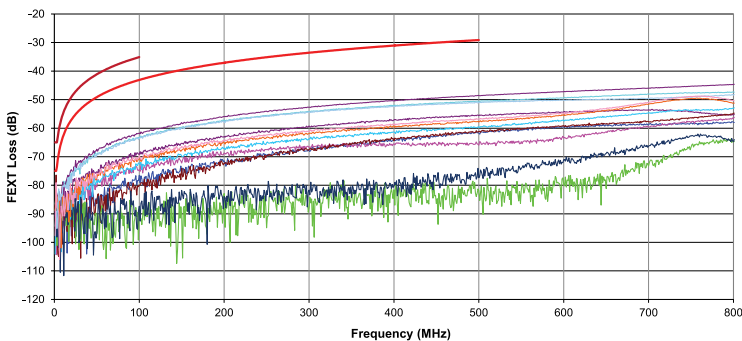
**CeeLok FAS-X Connector**  
**Four Ethernet Channels**  
(Equivalent to four RJ45s)  
Size 25 Shell  
1.88" Dia.

## Superior Signal Integrity at Gigabit Rates

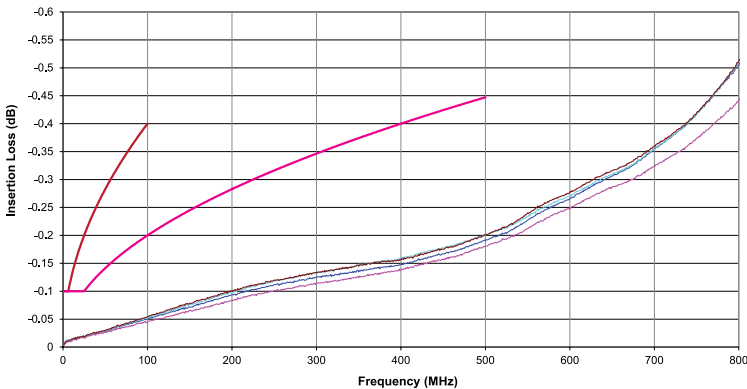
### Near-End Crosstalk



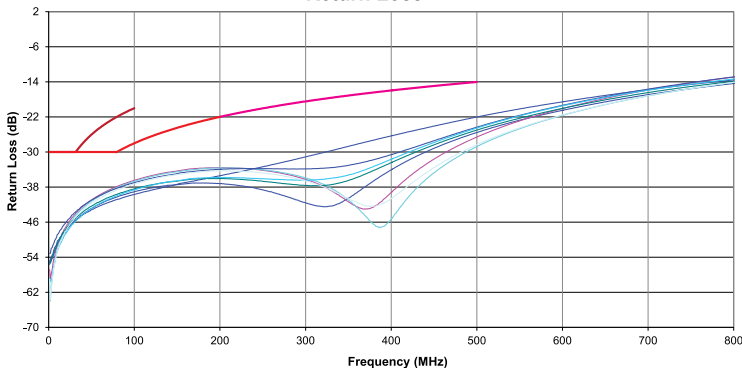
### Far-End Crosstalk



### Insertion Loss



### Return Loss



## Superior Impedance Matching

CeeLok FAS-X connectors are designed to maintain a highly matched 100-ohm impedance, with superior signal integrity.

## More High-Frequency Headroom

The design and close impedance matching of the CeeLok FAS-X connector gives you more performance margin to tolerate noisy environments that are sensitive to harmful interference.

## Zero Bit Error Rate (BER) under Rugged Testing

The CeeLok FAS-X connector was tested by TE for bit errors for a Gigabit Ethernet signal (1.0625 Gb/s) while simultaneously being subjected to random vibration and temperature cycling between -65°C and +200°C. No bit errors were detected.

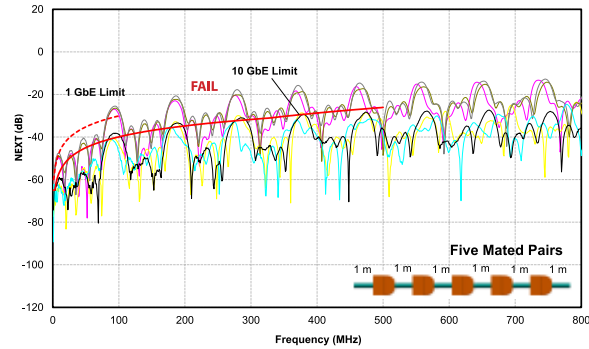
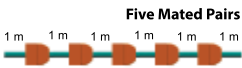
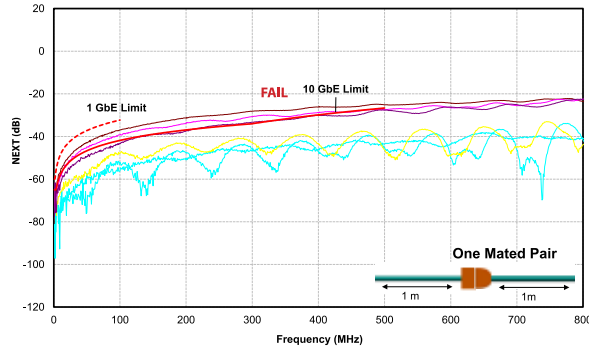
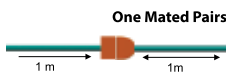
For more information, request Test Reports 10065 and 20101203.

Signal Integrity Performance Above and Beyond 38999 Connectors

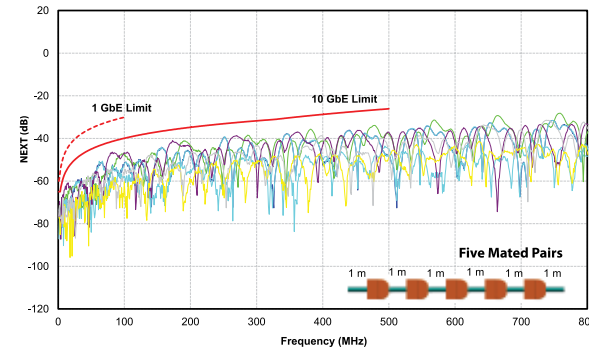
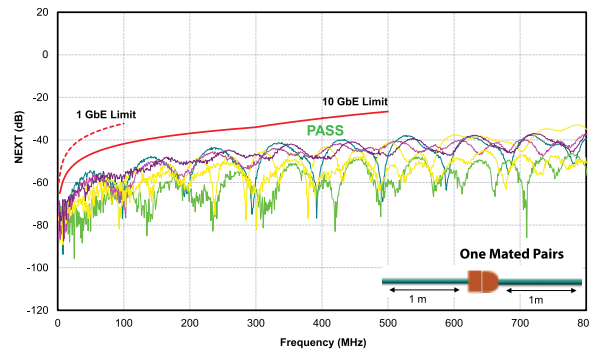
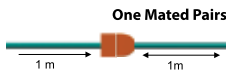
Optimized for high speed signaling, CeeLok FAS-X connectors help to offer performance beyond what is obtainable with popular pinouts used in standard D38999 connectors.

Differential NEXT

D38999 Size 11 Connector  
MOD Def Standard 23-04 Pinout

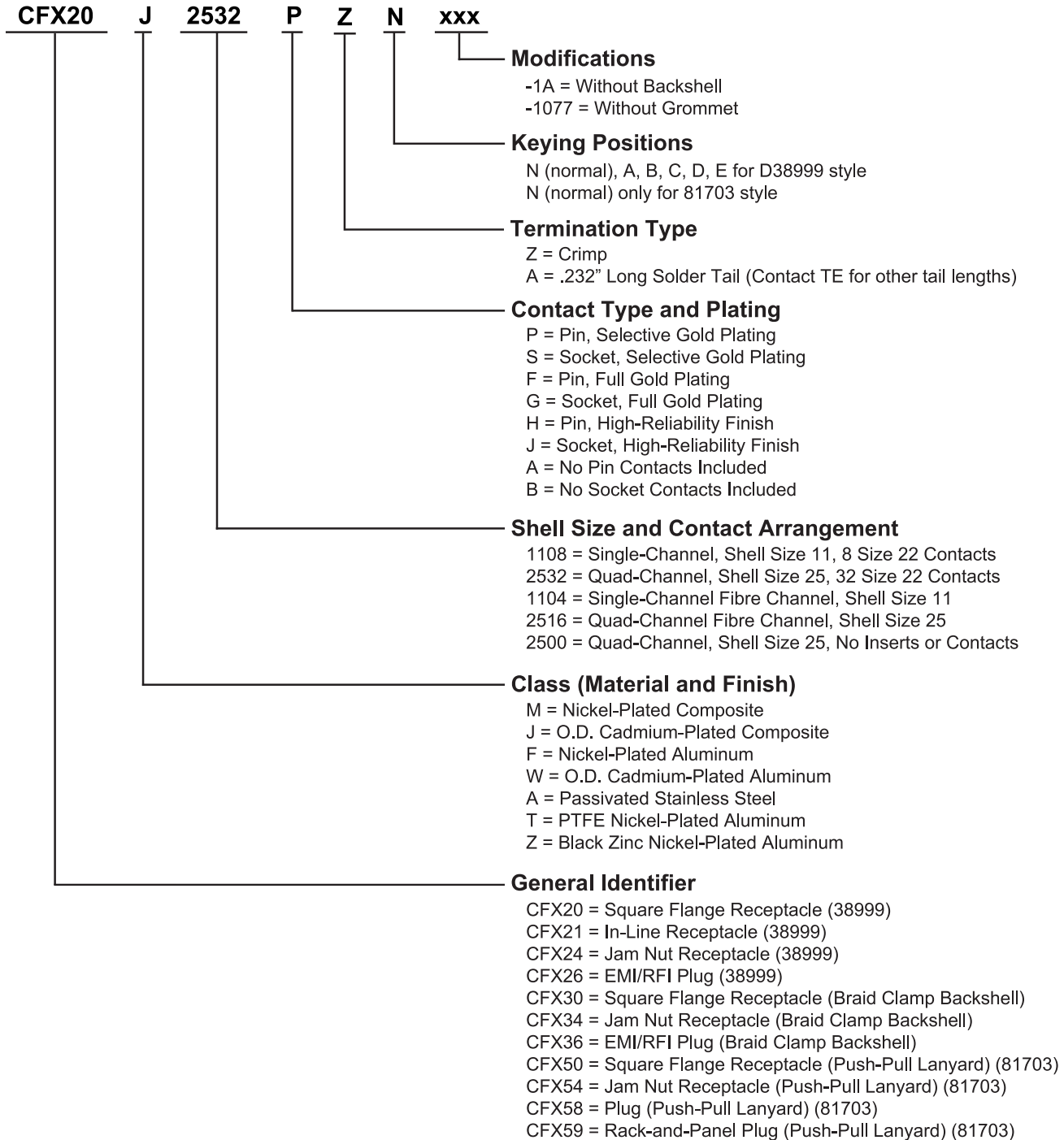


CeeLok FAS-X Connector



MIL CONNECTORS

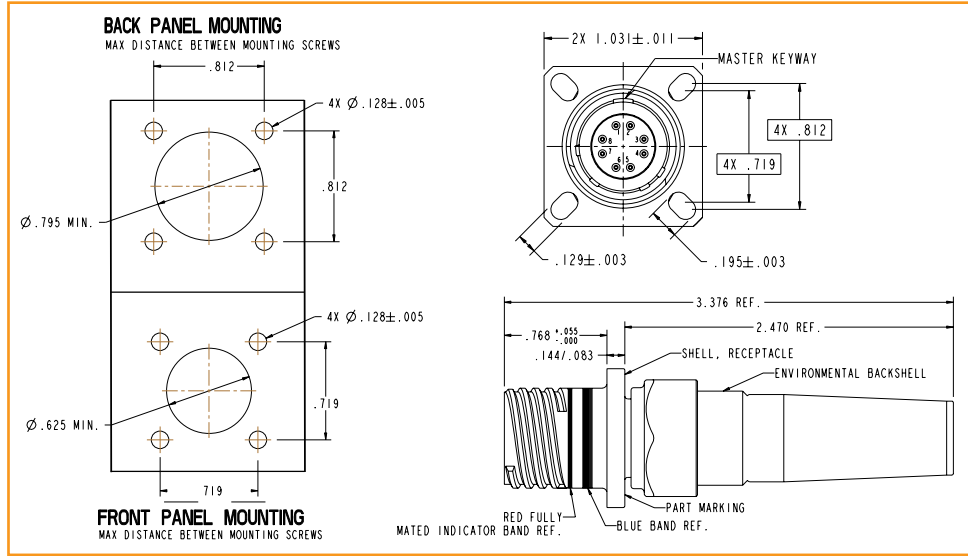
Connector Configuration Guide



SINGLE-CHANNEL D38999 CIRCULAR, SHELL SIZE 11

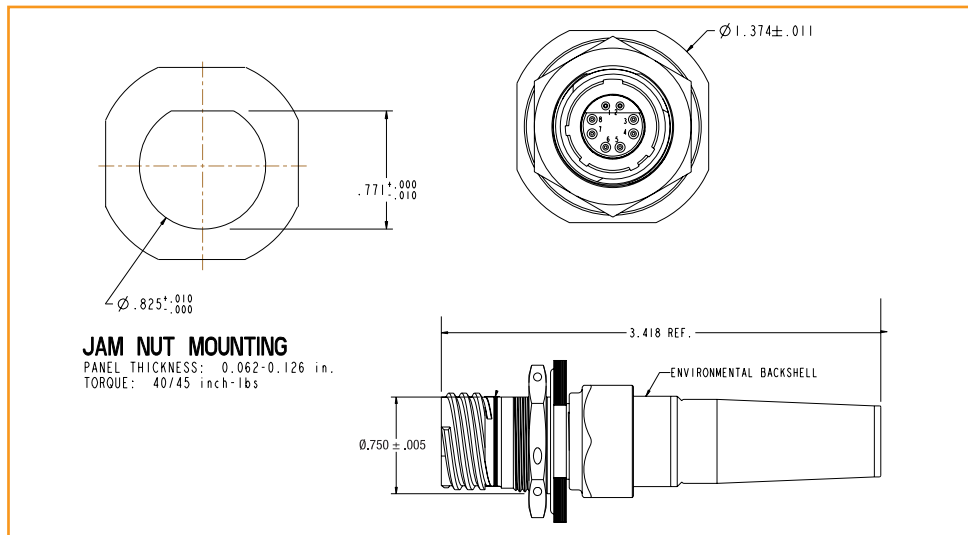
Square Flange Receptacle

CFX20\*1108\*\*\*



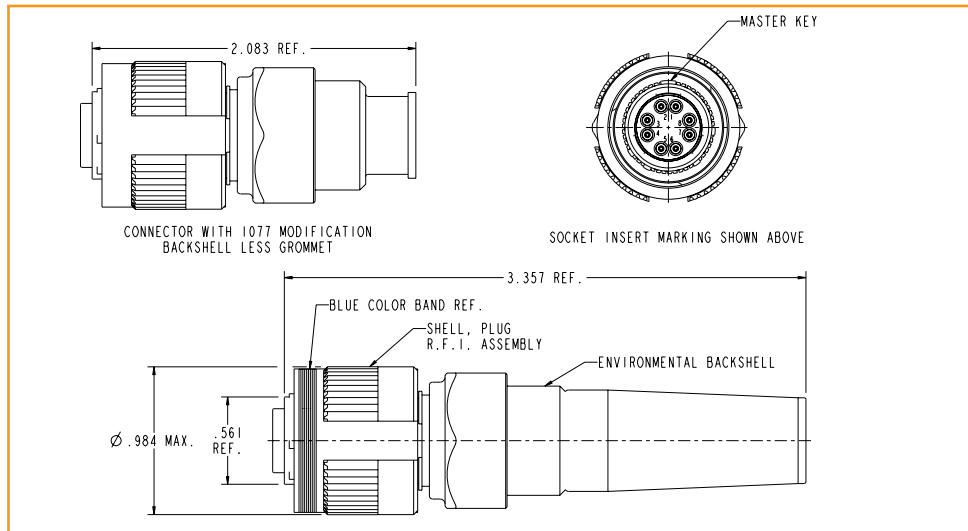
Jam Nut Receptacle

CFX24\*1108\*\*\*



Plug

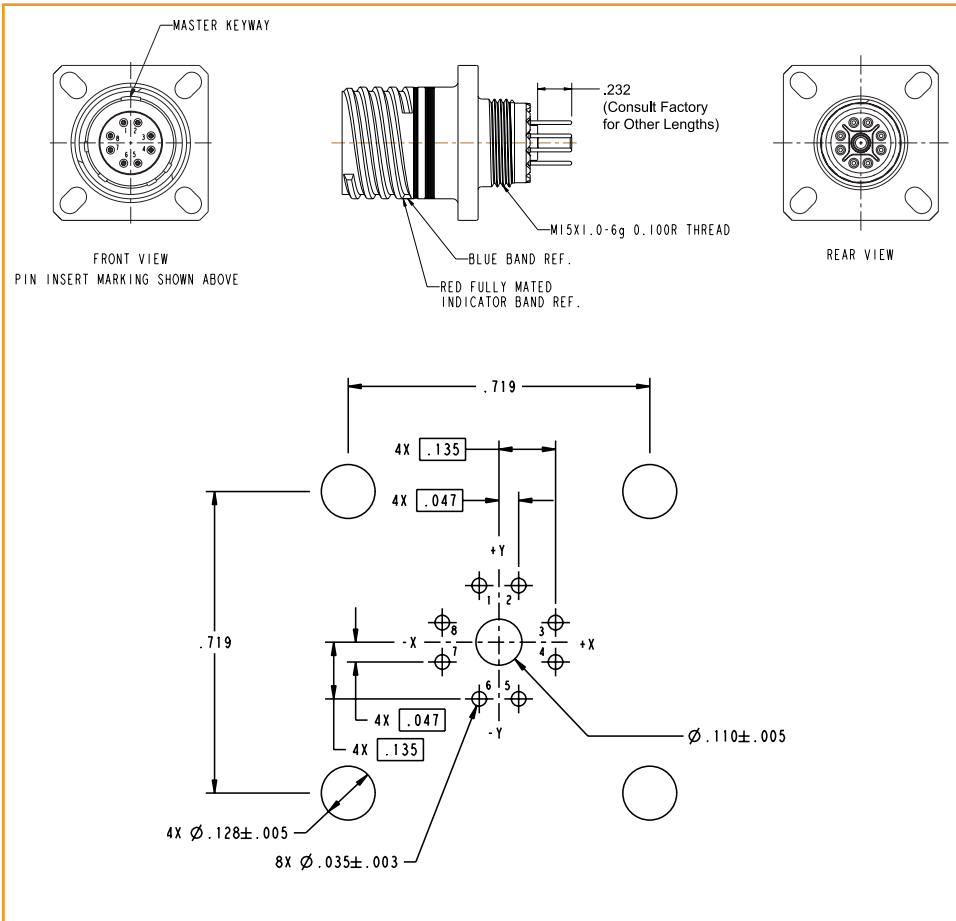
CFX26\*1108\*\*\*



SINGLE-CHANNEL D38999 CIRCULAR, SHELL SIZE 11, PCB MOUNT

Square Flange Receptacle

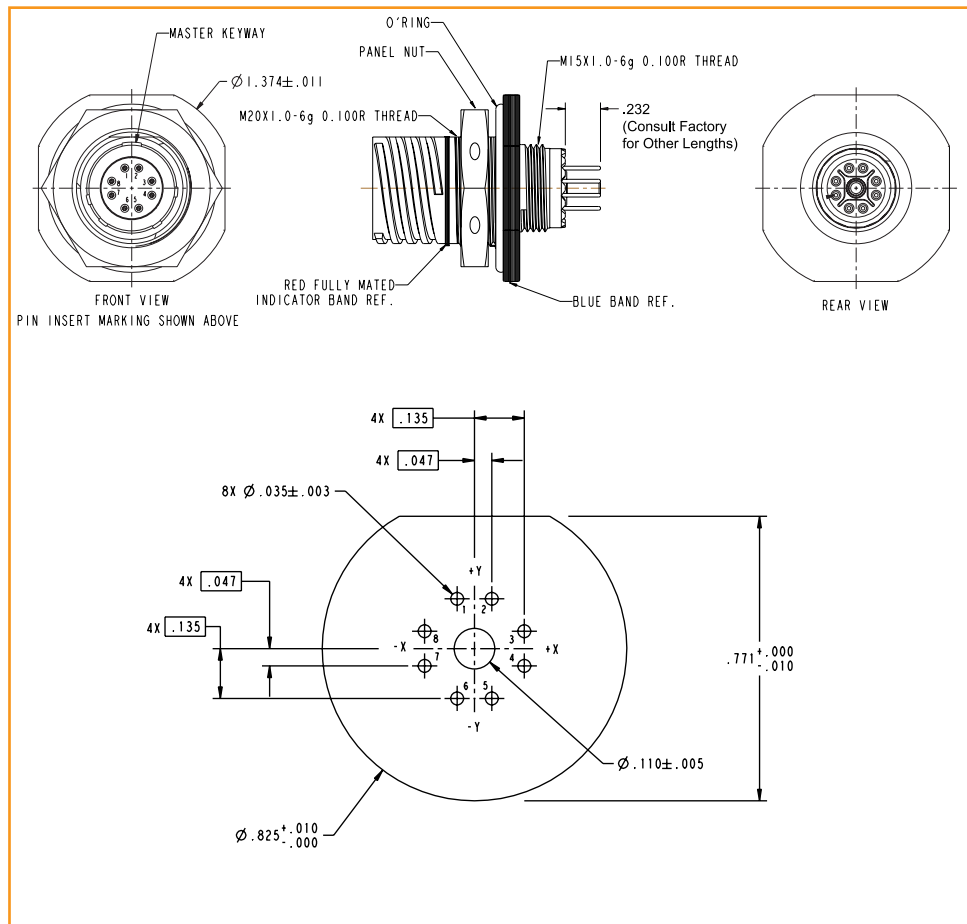
CFX20\*1108\*\*\*



SINGLE-CHANNEL D38999 CIRCULAR, SHELL SIZE 11, PCB MOUNT

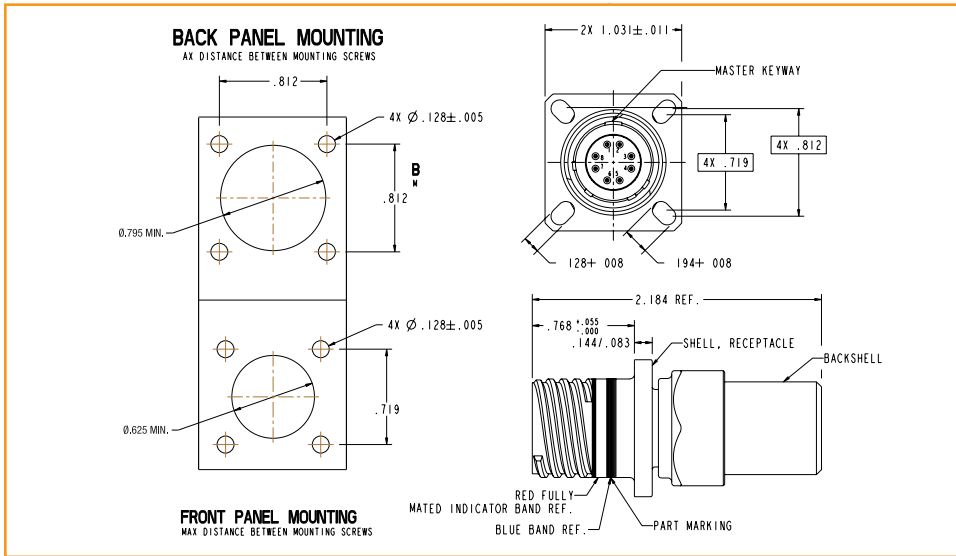
Jam Nut Receptacle

CFX24\*1108\*\*\*



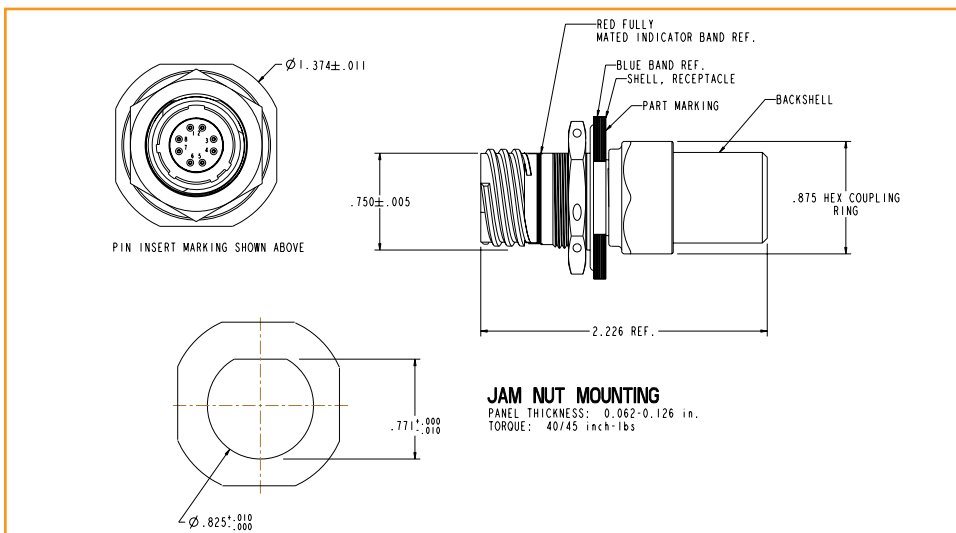


COMMERCIAL SINGLE-CHANNEL CIRCULAR, SHELL SIZE 11



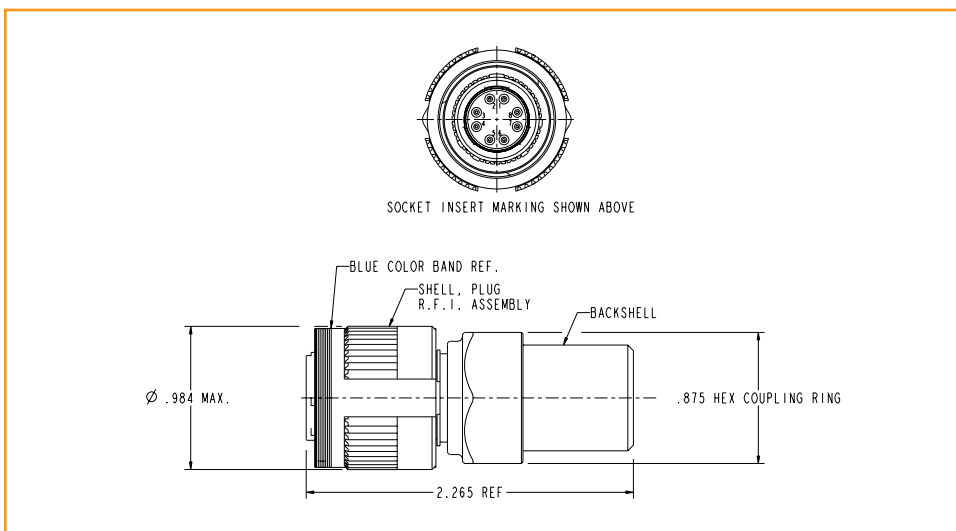
Square Flange Receptacle with Braid Clamp Backshell

CFX30\*1108\*\*\*



Jam Nut Receptacle with Braid Clamp Backshell

CFX34\*1108\*\*\*



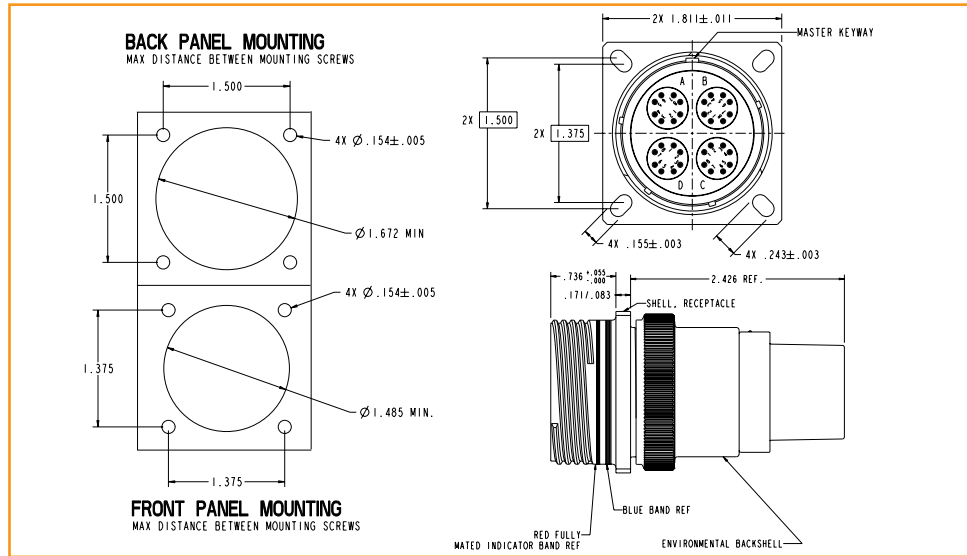
EMI/RFI Plug with Braid Clamp Backshell

CFX36\*1108\*\*\*

QUAD-CHANNEL D38999 CONNECTORS, SHELL SIZE 25

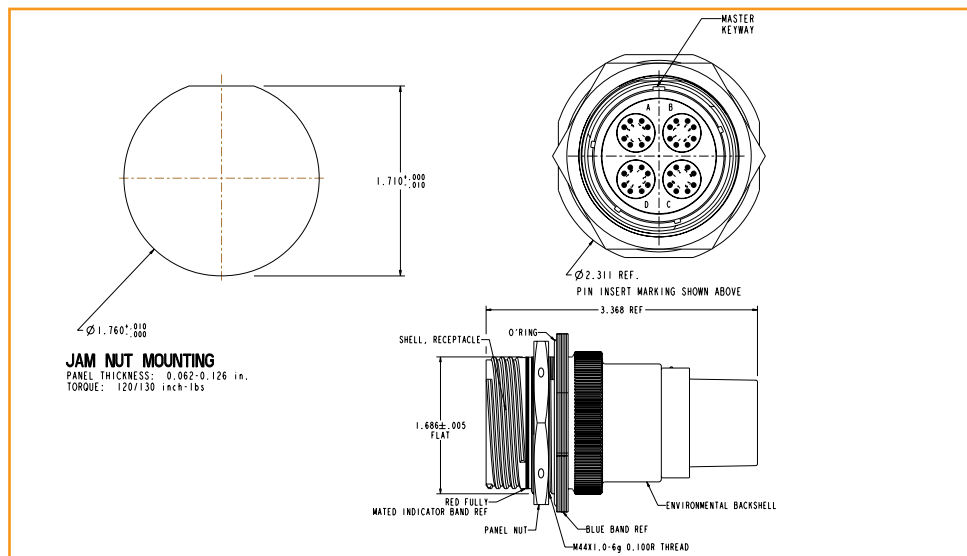
Square Flange Receptacle

CFX20\*2532\*\*\*



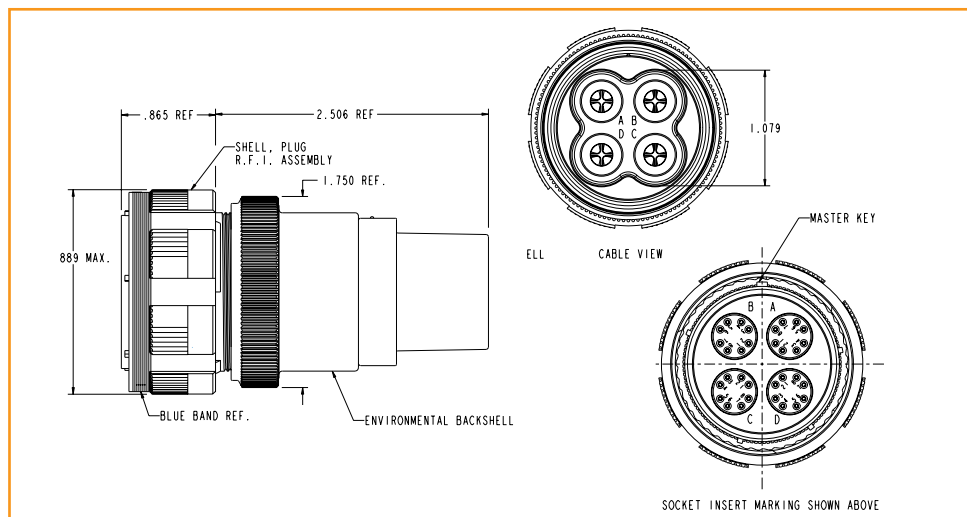
Jam Nut Receptacle

CFX24\*2532\*\*\*



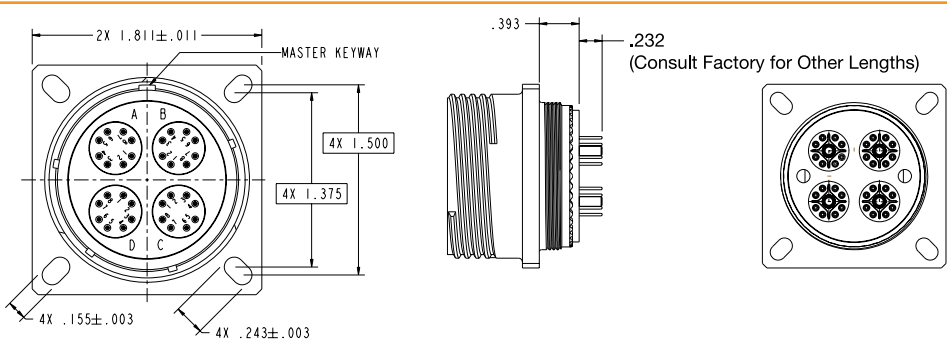
Plug

CFX26\*2532\*\*\*

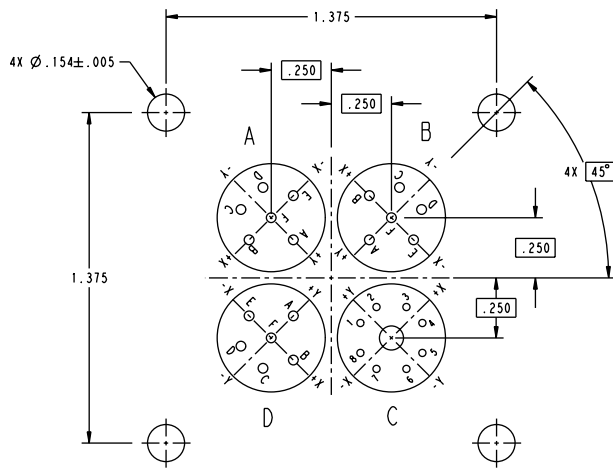


Square Flange Receptacle

CFX20\*2532\*\*\*

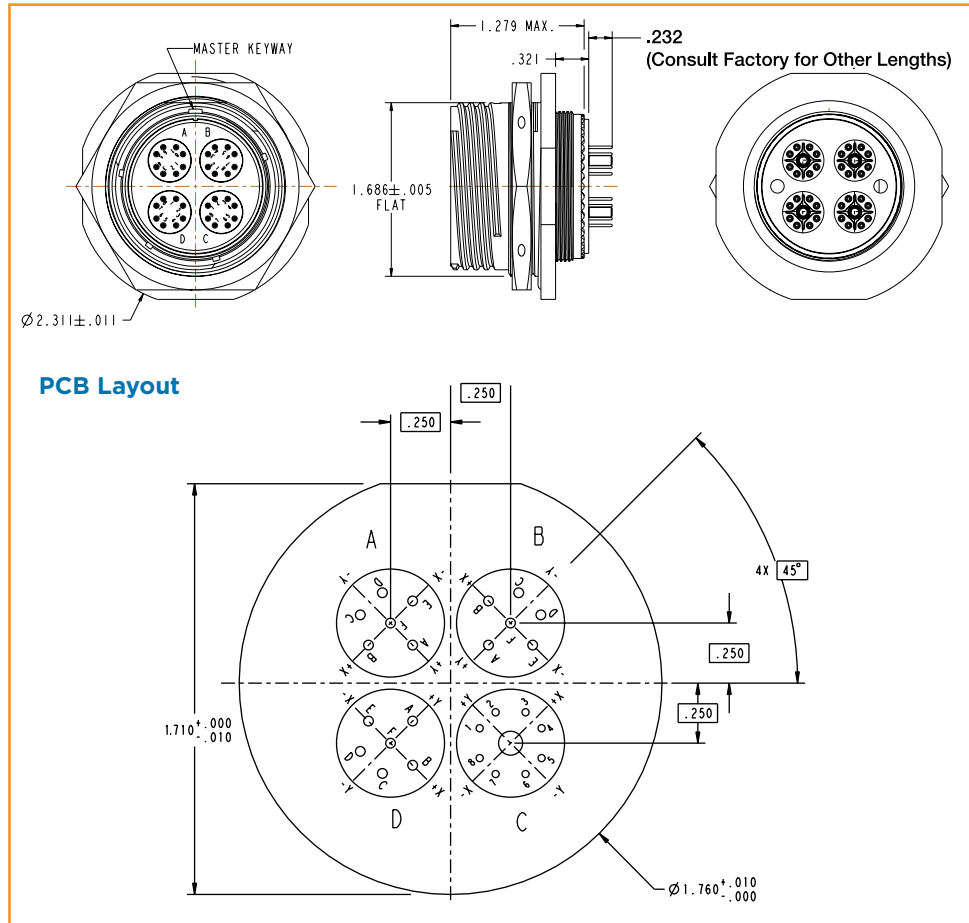


PCB Layout



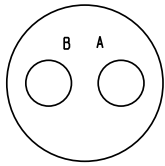
**Jam Nut Receptacle**

CFX24\*2532\*\*\*

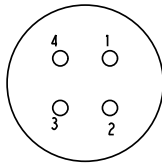


**CEELOK FAS-X CONNECTOR MODULES**

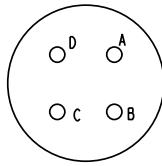
Ceelok FAS-X connectors are also available with a variety of modules to accommodate various counts of Size 22, 20, and 16 contacts in a Size 25 shell. Such capabilities allow convenient mixture of signal and power through the connectors.



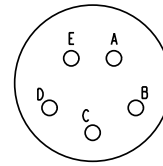
1102  
2 Size 16 Contacts



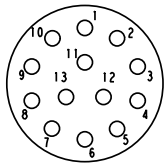
11H4  
4 Size 22 Contacts



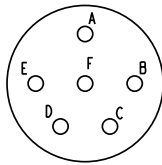
1104  
4 Size 20 Contacts



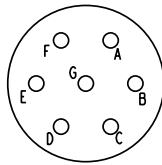
1105  
5 Size 20 Contacts



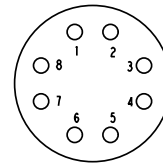
1135  
13 Size 22 Contacts



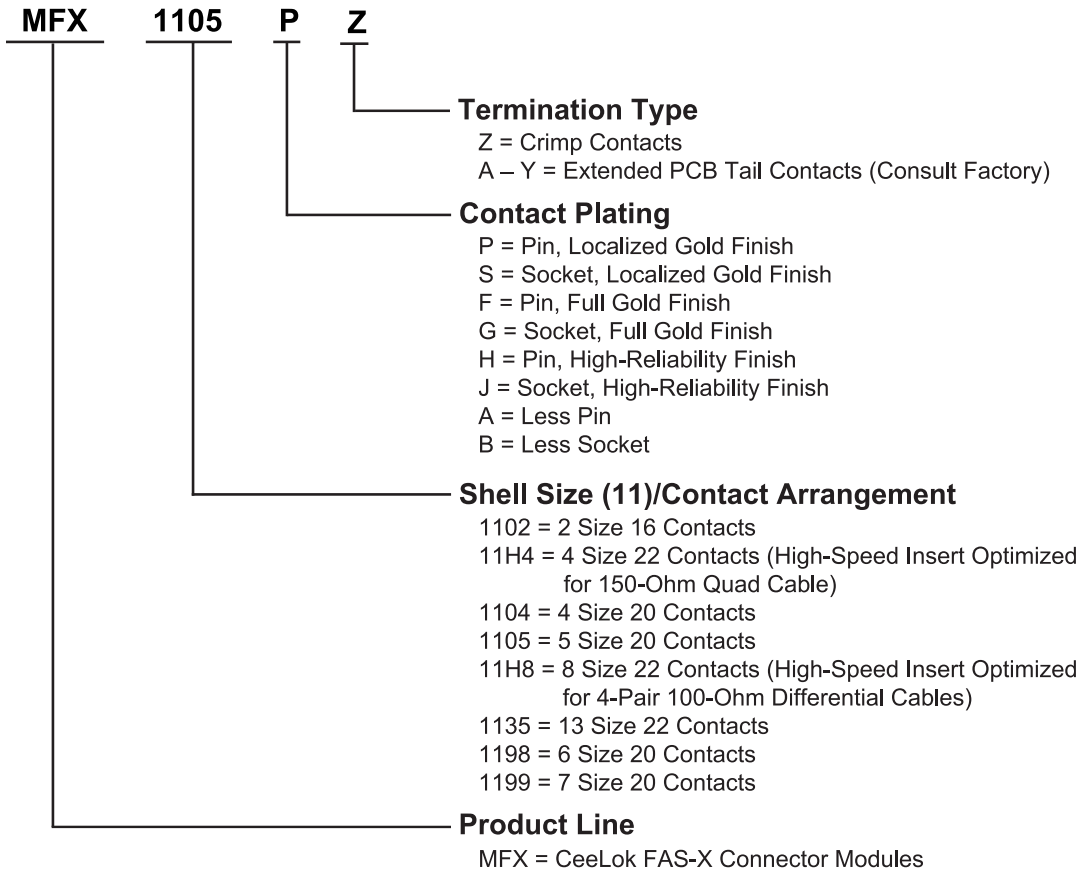
1198  
6 Size 20 Contacts



1199  
7 Size 20 Contacts

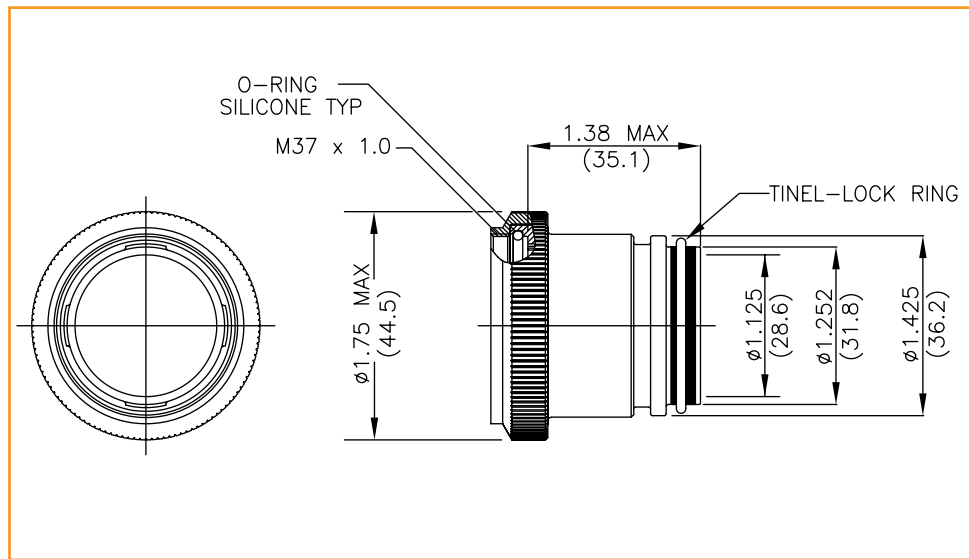


11H8  
8 Size 22 Contacts



**Adapters**

Tinel-Lock backshell adapters are available to provide reliable braided shield termination using Tinel-Lock Rings and accommodate a lipped heat-shrink boot.



**Part No.**

**TXS201 A X 00-24 BI**

**TXS201 A X 00-24 AI**

Aluminum alloy body with nickel PTFE plating

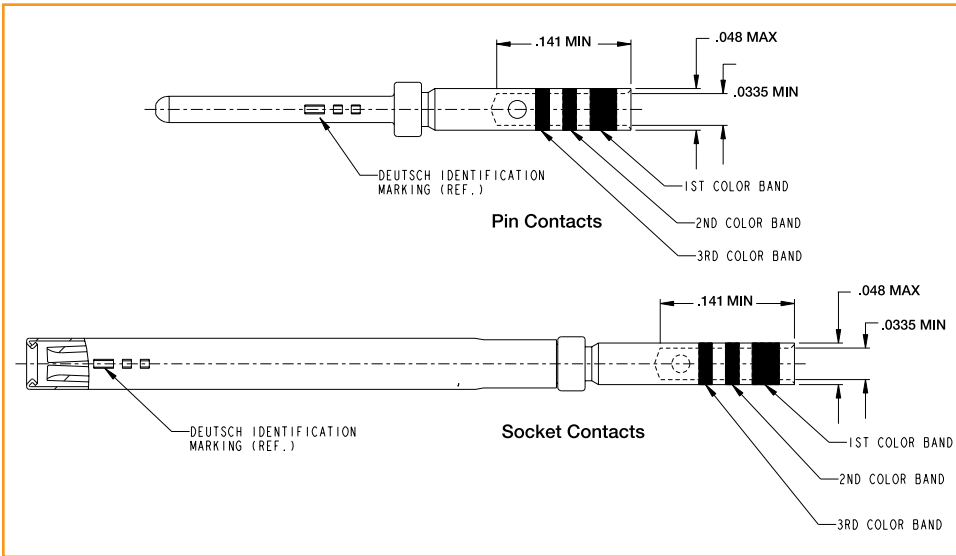
BI = Tinel-Lock Ring for dual-layer 36 AWG or single layer 30 AWG braid shields

AI = Tinel-Lock ring for single layer 26 AWG braid shields

Consult your TE representative for other plating and shield termination options

**Size 22D Contacts**

28 - 22 AWG wire  
 .160 to .190 recommended strip length



Type	Military Part No.	TE DEUTSCH Part No.*	Color Bands			Crimp Tool	
			1st	2nd	3rd	Basic Tool	Positioner
Pin	AS39029/107-620	12331-22	Blue	Red	Black	M22520/2-01	M22520/2-09
	AS39029/58-360	38941-22, 38941-22L	Blue	Brown	Yellow	M22520/7-01	M22520/7-07
Socket	AS39029/106-614	12333-22	Orange	Blue	Black	M22520/2-01	M22520/2-07
	AS39029/56-348	38943-22, 38943-22L	Orange	Yellow	Gray	M22520/7-01	M22520/7-05

\*12331-22 and 12333-22 are high-durability contacts rated for 1500 mating cycles.  
 38941-22x and 38943-22x are standard durability contacts rated for 500 mating cycles.  
 The L suffix indicates localized plating; otherwise plating is standard.

## For More Information

### TE Technical Support Center

North America	+1 800 522 6752
Asia Pacific	+86 0 400 820 6015
Austria	+43 1 905 601 228
Baltic Regions	+46 8 5072 5000
Benelux	+31 73 6246 999
Czech Republic	+420 800 701 462
France	+33 1 34 20 86 86
Germany	+49 6251 133 1999
Hungary	+36 809 874 04
Italy	+39 011 401 2632
Nordic	+46 8 5072 5000
Poland	+48 800 702 309
Russia	+7495 790 790 2
Spain/Portugal	+34 93 2910366
Switzerland	+41 52 633 66 26
United Kingdom	+44 800 267 666

Follow us on Twitter for all the latest product news  
@TEConnectivity, and on Facebook, TEConnectivity.

Connect with one of our Subject Matter Experts  
at [www.DesignSmarterFaster.com](http://www.DesignSmarterFaster.com)

[te.com/adm](http://te.com/adm)

© 2014 TE Connectivity Ltd. family of companies. All Rights Reserved.

1-1773837-2 ADM 5M 06/2014

CeeLok FAS-X, DEUTSCH, Tinel-Lock, EVERY CONNECTION COUNTS, TE Connectivity, TE connectivity (logo) and TE (logo) are trademarks of the TE Connectivity group of companies and its licensors.

Other product or company names mentioned herein may be trademarks of their respective owners.

While TE has made every reasonable effort to ensure the accuracy of the information herein, nothing herein constitutes any guarantee that such information is error-free, or any other representation, warranty or guarantee that the information is accurate, correct, reliable or current. The TE entity issuing this publication reserves the right to make any adjustments to the information contained herein at any time without notice. All implied warranties regarding the information contained herein, including, but not limited to, any implied warranties of merchantability or fitness for a particular purpose are expressly disclaimed. The dimensions herein are for reference purposes only and are subject to change without notice. Specifications are subject to change without notice.

Consult TE for the latest dimensions and design specifications.